

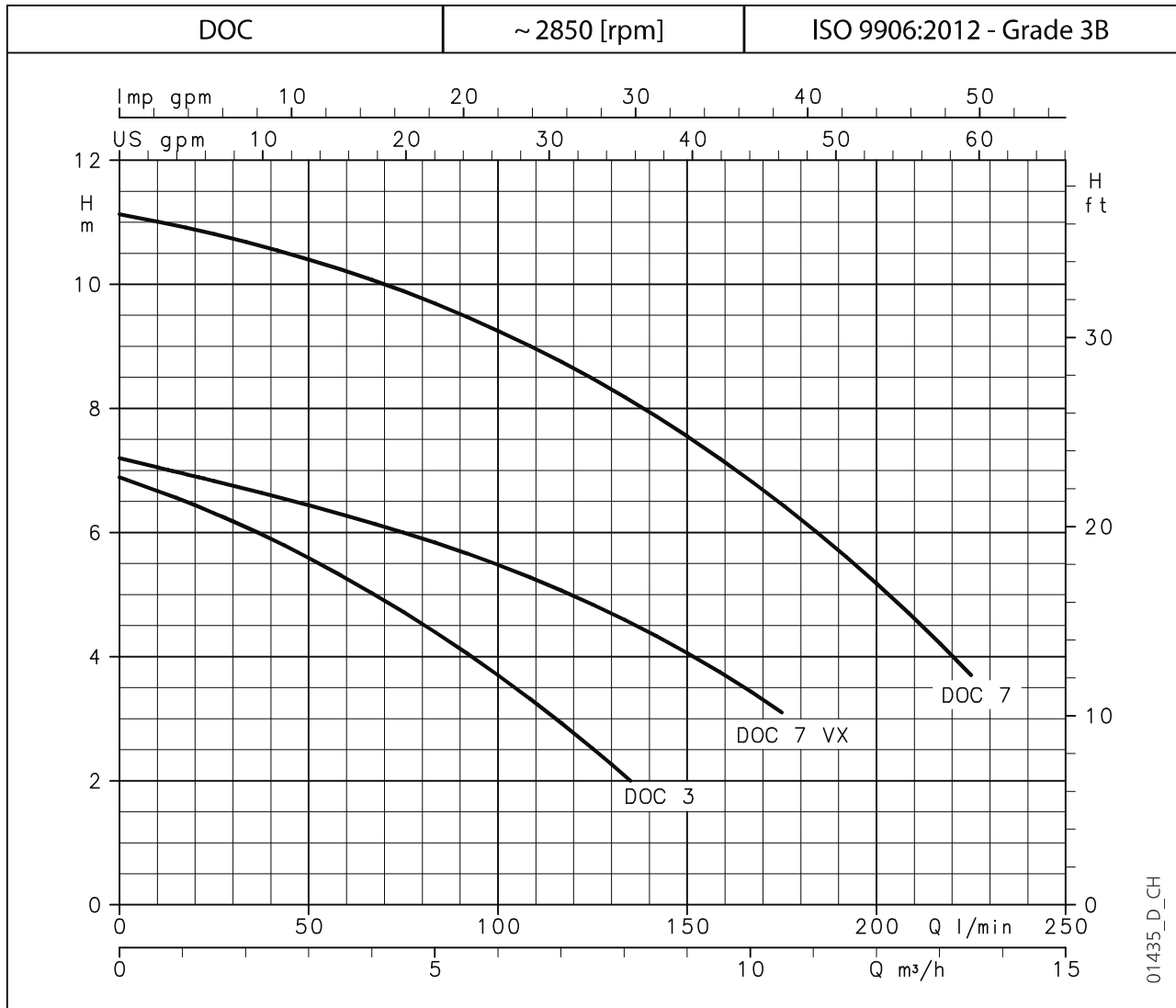
50 Hz



DOC - DIWA - DOMO DOMO GRI - DN - DL Series

DRAINAGE AND SEWAGE ELECTRIC PUMPS

DOC SERIES OPERATING CHARACTERISTICS AT 50 Hz



HYDRAULIC PERFORMANCE TABLE

PUMP TYPE	RATED POWER		Q = DELIVERY																		
			V/min		25		50		75		100		125		135		175		225		
			m³/h		0		1,5		3		4,5		6		7,5		8,1		10,5		13,5
kW		HP		H = TOTAL HEAD METRES COLUMN OF WATER																	
DOC3	0,25	0,33	6,9	6,3	5,6	4,7	3,7	2,5	2,0												
DOC7(T)	0,55	0,75	11,1	10,8	10,4	9,9	9,3	8,5	8,1	6,5	3,7										
DOC7VX(T)	0,55	0,75	7,2	6,8	6,4	6,0	5,5	4,8	4,5	3,1											

These performances are valid for liquids with density $\rho = 1,0 \text{ kg/dm}^3$ and kinematic viscosity $\nu = 1 \text{ mm}^2/\text{s}$.

doc-2p50-en_b_th

ELECTRICAL DATA TABLE

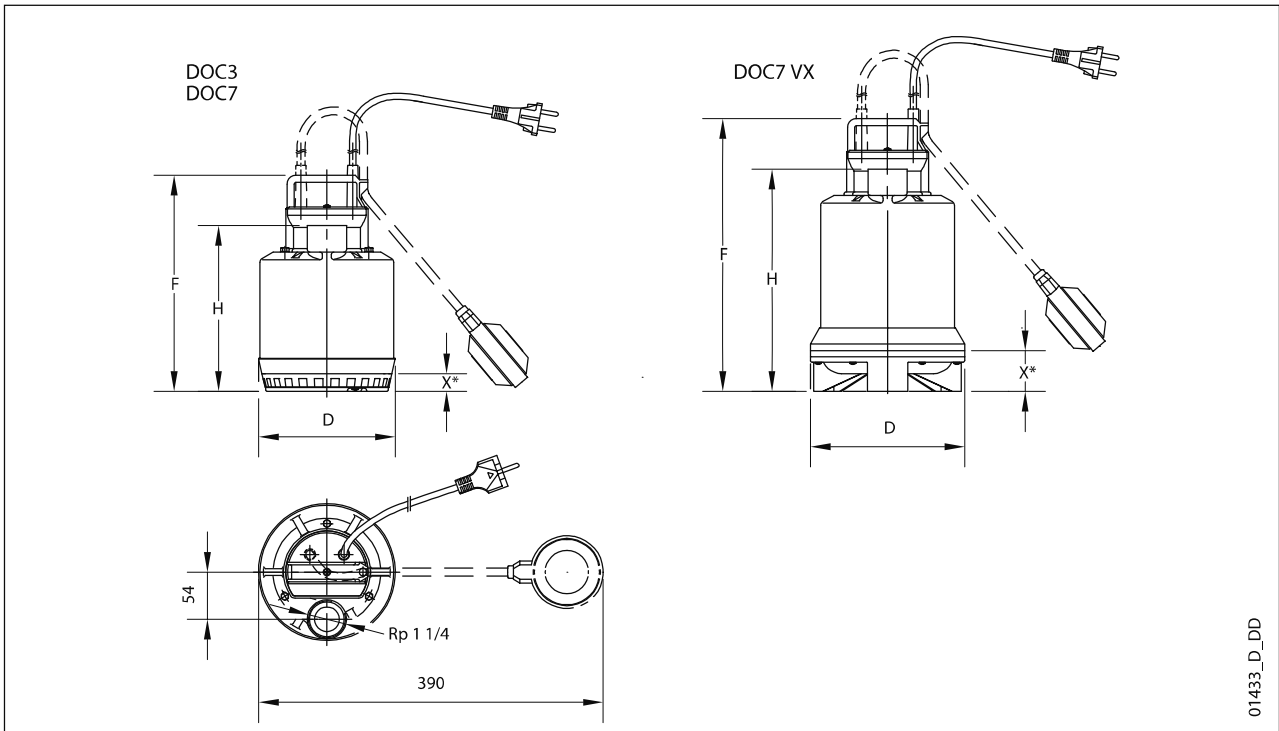
PUMP TYPE	ABSORBED POWER*		ABSORBED CURRENT*	CAPACITOR
	220-240 V		220-240 V	
	kW		A	$\mu\text{F} / 450 \text{ V}$
DOC 3	0,31	1,43	6,3	
DOC 7	0,78	3,47	16	
DOC 7VX	0,66	2,96	16	

PUMP TYPE	ABSORBED POWER*		ABSORBED CURRENT*	ABSORBED CURRENT*
	220-240 V		220-240 V	380-415 V
	kW		A	A
-	-	-	-	-
DOC 7T	0,79	2,82	1,63	
DOC 7VXT	0,66	2,68	1,55	

*Maximum values within operating range

doc-2p50-en_a_th

**DOC SERIES
DIMENSIONS AND WEIGHTS**

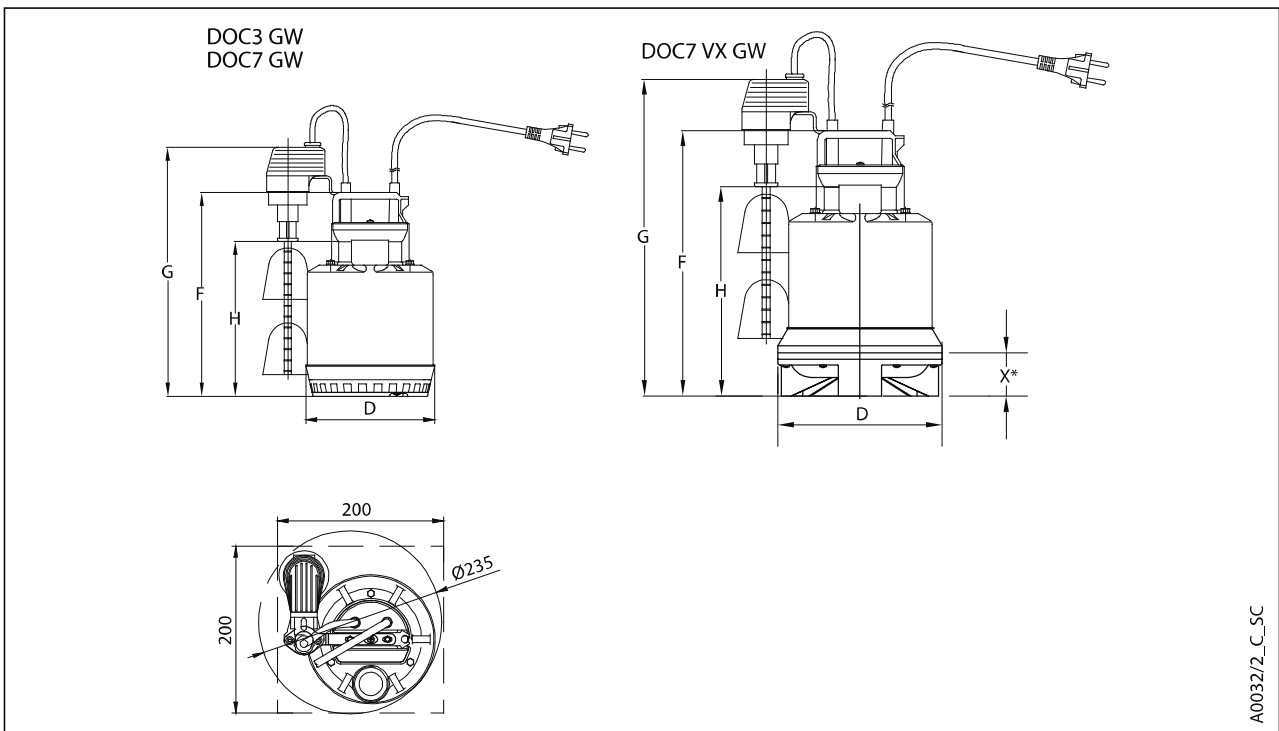


01433_D_DD

PUMP TYPE		DIMENSIONS (mm)					WEIGHT
		F	H	G	D	X*	kg
DOC3	DOC3 GW	245	188	315	155	20	4
DOC7	DOC7 GW	285	228	335	155	20	6
DOC7VX	DOC7VX GW	310	252	360	175	45	6

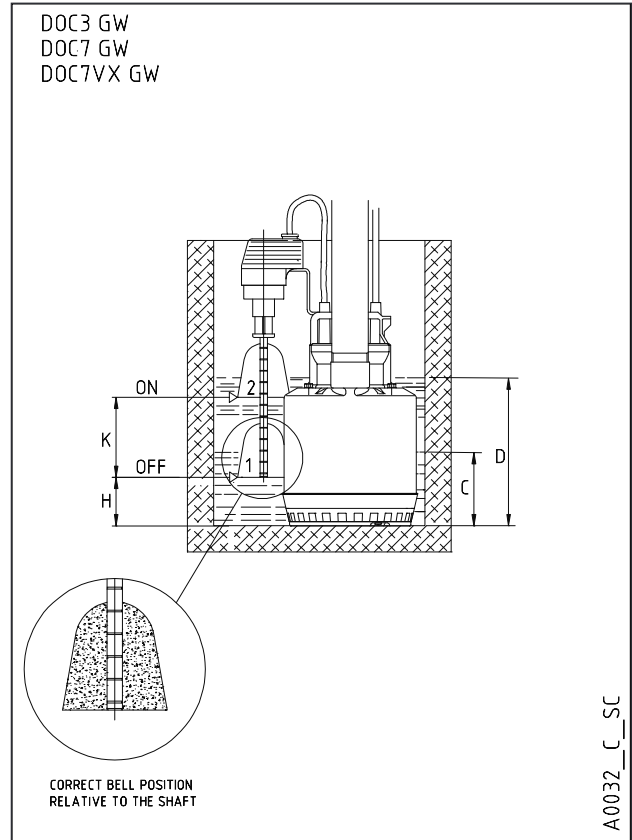
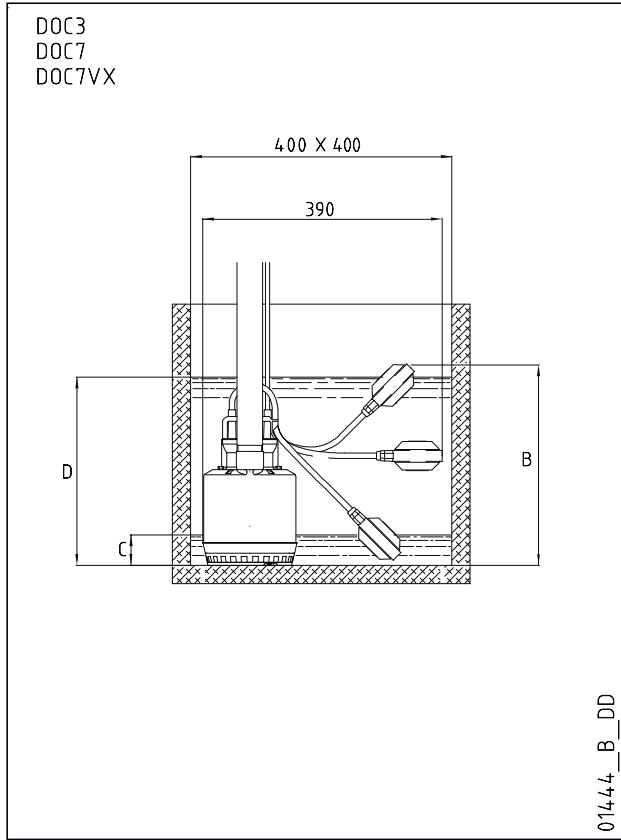
* Minimum liquid level.

doc_doc gw-2p50-en_b_td



A0032/2_C_SC

**DOC SERIES
INSTALLATION EXAMPLES**



PUMP TYPE	DIMENSIONS (mm)	MINIMUM WATER LEVEL (mm)	MAXIMUM WATER LEVEL (mm)
	K	C	D
DOC3	330	50	310
DOC7	370	90	350
DOC7VX	395	115	378

docliv-2p50-en_b_td

PUMP TYPE	BELL 1 POSITION (mm)	BELL 2 POSITION (mm)	MINIMUM WATER LEVEL (mm)	MAXIMUM WATER LEVEL (mm)
	H	K	C	D
DOC3 GW	40	70	95	145
	40	80	95	155
	40	90	95	165
DOC7 GW	60	70	115	165
	60	80	115	175
	60	90	115	185
DOC7VX GW	85	70	140	190
	85	80	140	200
	85	90	140	210

ACCESSORIES

docgwlv-2p50-en_a_td

